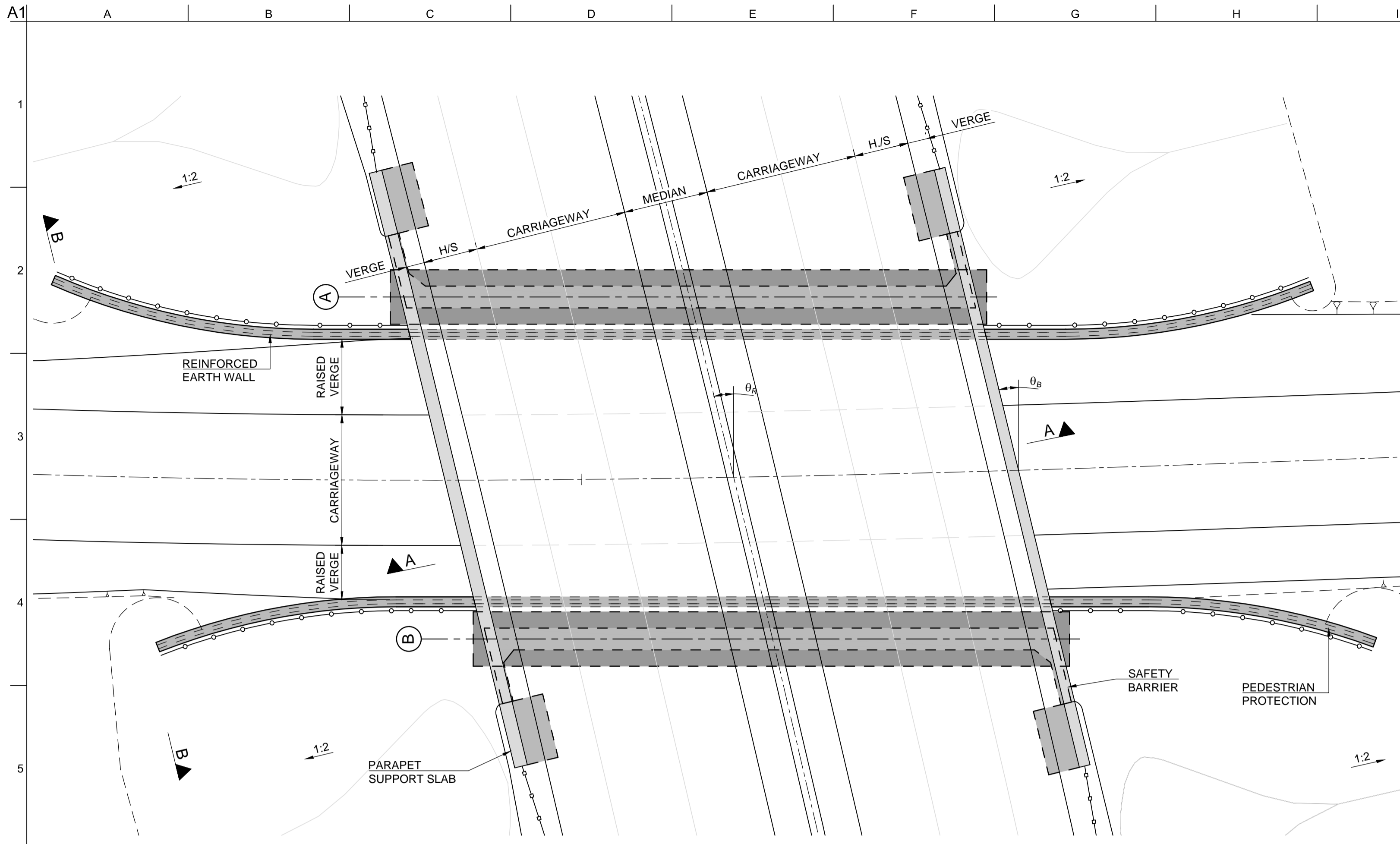
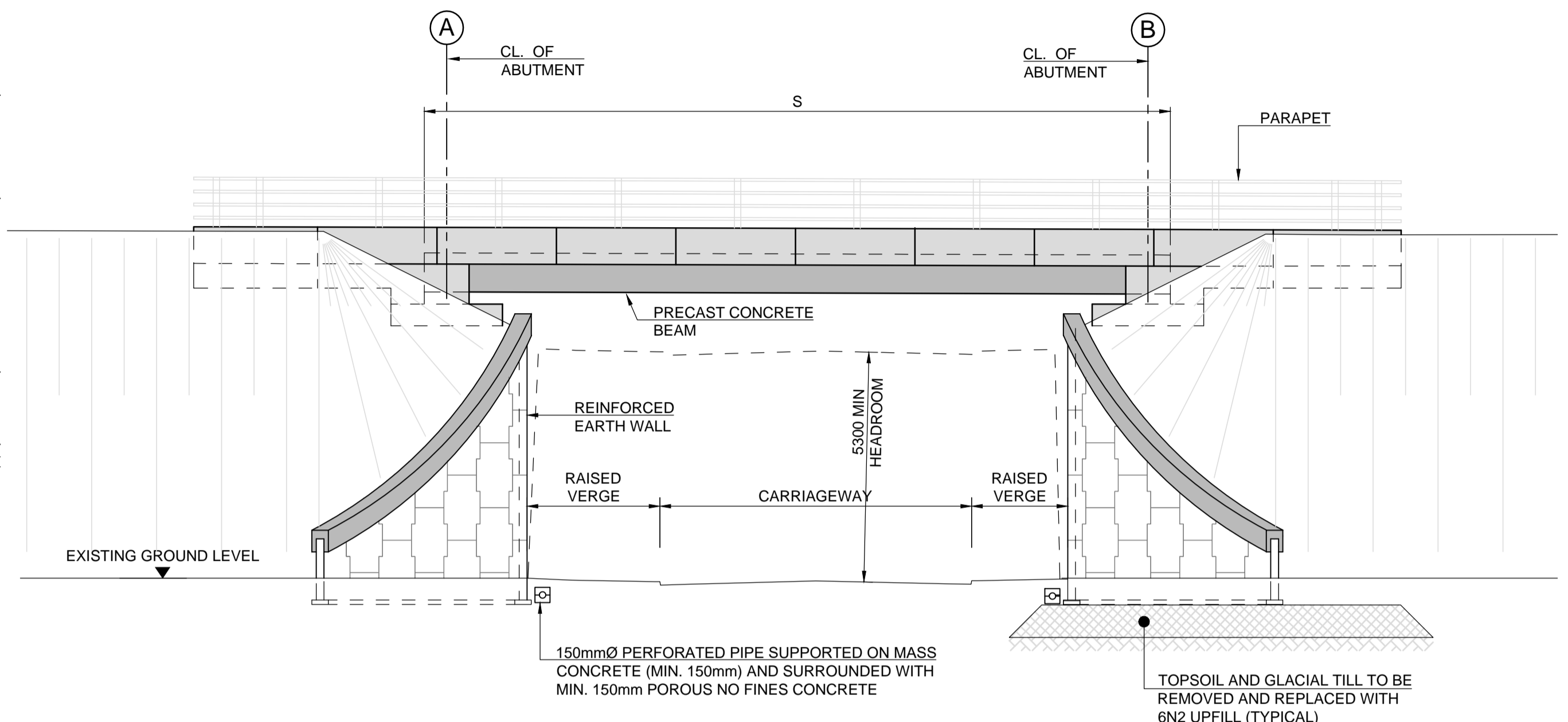


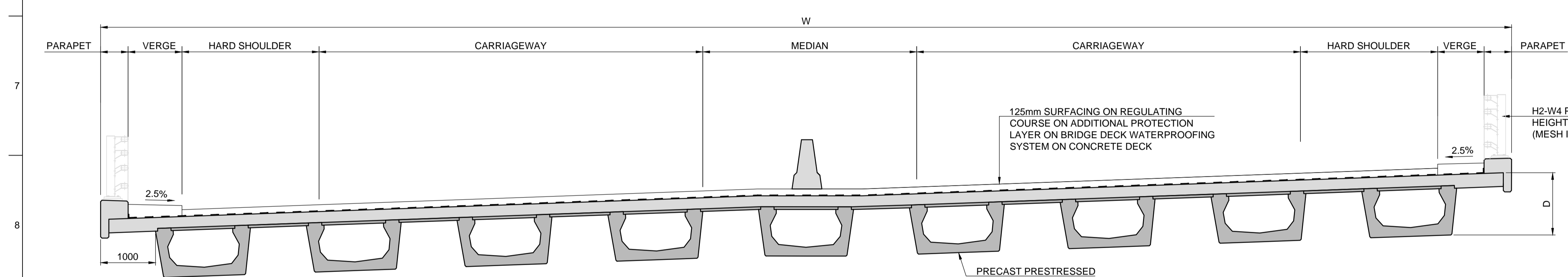
- NOTES:**
- ALL DIMENSIONS ARE SHOWN IN MILLIMETRES UNLESS NOTED OTHERWISE.
 - ALL LEVELS ARE SHOWN IN METRES ABOVE ORDNANCE DATUM.



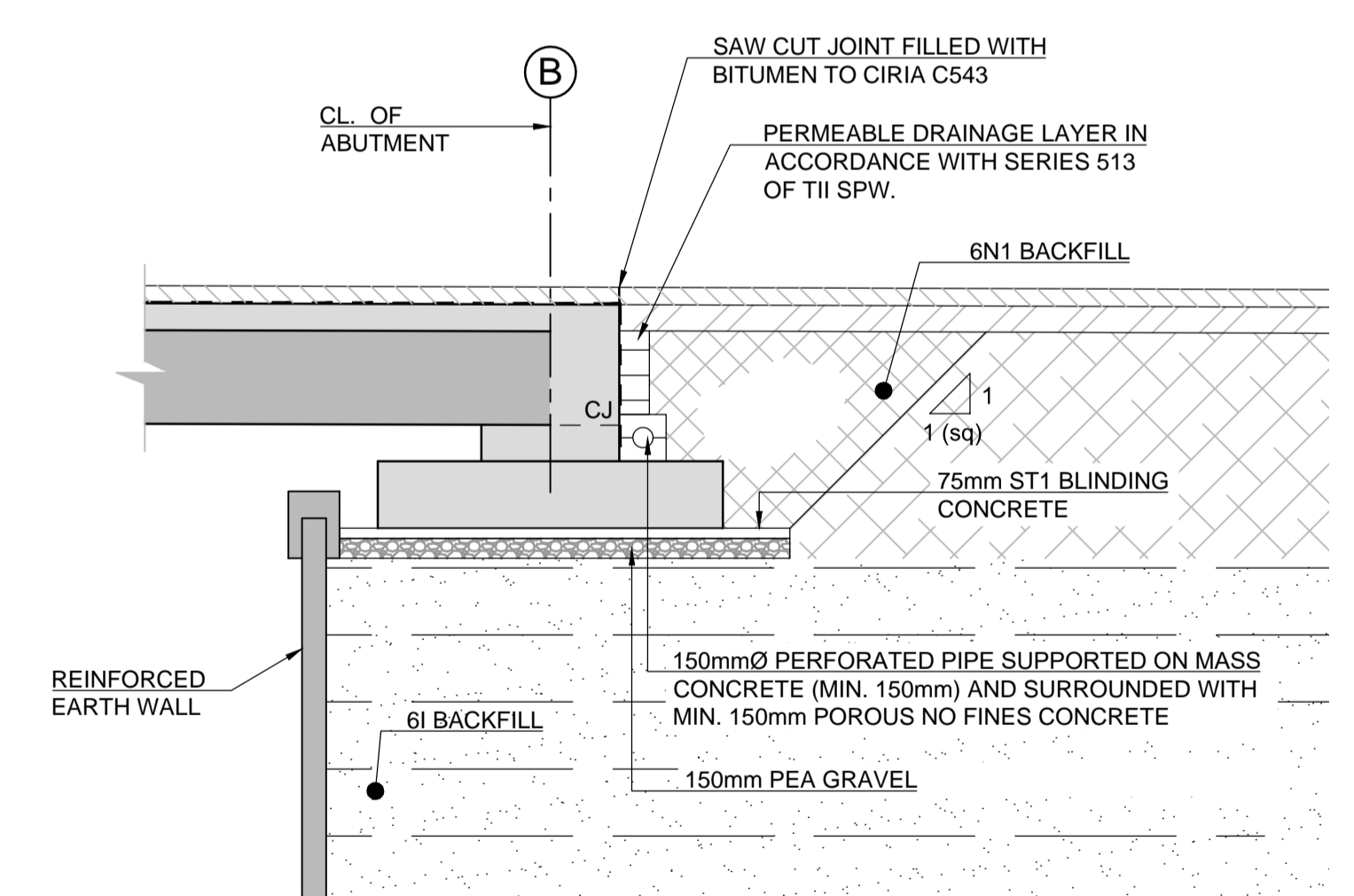
PLAN ON BRIDGE
SCALE 1:150



SECTION B-B
SCALE 1:100



SECTION A-A
SCALE 1:50



TYPICAL ABUTMENT CROSS SECTION
SCALE 1:50

Reference	Name	Chainage	Total Deck Length, S [m]	Width, W [m]	Structural Depth, D [m]	Bridge Skew Angle, θ_B (deg)	Road Skew Angle, θ_R (deg)
S15/01	Briarhill Business Park Underbridge	15+725	15.5	25.1	1.15	8	8

San áireamh tá sonraíocht Shuirbhíreacht Ordnáis Éireann arna áitirgeadh faoi Cheadúnas OSi Uimh. 2010/18CCMA/Comhairle Contae na Gaillimhe. Sírúinn áitirgeadh neamhdaraithe cóipeacht Shuirbhíreacht Ordnáis Éireann agus Rialtas na hÉireann. © Suirbhíreacht Ordnáis Éireann, 2010.

© Suirbhíreacht Ordnáis Éireann. Gach ceart ar chosaint. Uimhir cheadúnais 2010/18CCMA/Comhairle Contae na Gaillimhe.

Includes Ordnance Survey Ireland data reproduced under OSI Licence number 2010/18CCMA/Galway County Council. Unauthorised reproduction infringes Ordnance Survey Ireland and Government of Ireland copyright. © Ordnance Survey Ireland, 2010.

© Ordnance Survey Ireland. All rights reserved. Licence number 2010/18CCMA/Galway County Council.

Clients

Comhairle Chontae na Gaillimhe
Galway County Council

Galway City Transport Project

An Roinn Iompair Turasóireachta agus Spóirt
Department Transport, Tourism and Sport

TIIP
Transport Infrastructure Ireland

Consultant

ARUP

Corporate House
City East Business Park
Ballybrit, Galway, Ireland.

Tel +353 (0)91 460675
www.N6GalwayCity.ie
www.arup.ie

Job Title
N6 Galway City Ring Road

Scale
AS SHOWN @ A1

Date
February 2018

Issue	Date	By	Chkd	Appd
I5	22/02/2018	PD	PM	EMC
I4	30/06/2017	PD	PM	EMC
I3	20/04/2017	PD	PM	EMC
I2	11/11/2016	PD	PM	EMC
I1	04/07/2016	PD	PM	EMC

Drawing Title
Standard Underbridges:
Type 2A

Drawing Status

For Information

Job No
233985

Drawing No
GCOB-1700-D-GEN-002

Issue
15